

PRE-PVRack

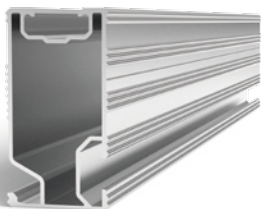
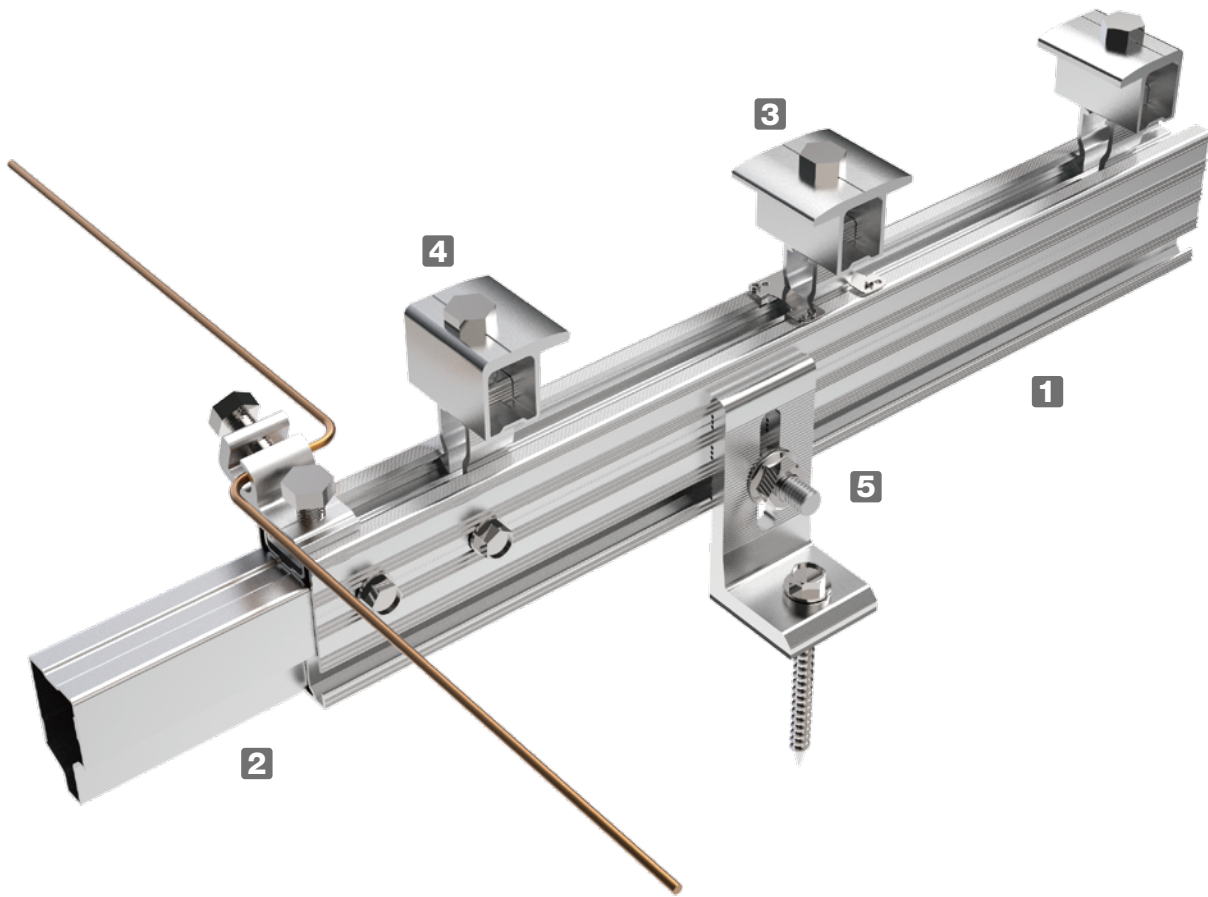
Solar Panel Roof A Mounting Solution
For Trapezoidal sheet metal roofing / corrugated sheet metal roofing



10YEARS
WARRANTY

✉ info@enerack.com

New & Improved: The Professionals' Choice With Superior Aesthetics



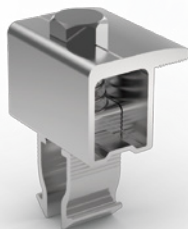
1 PRE-R55



2 PRE-SFR-01



3 PRE-EIC



4 PRE-AEC

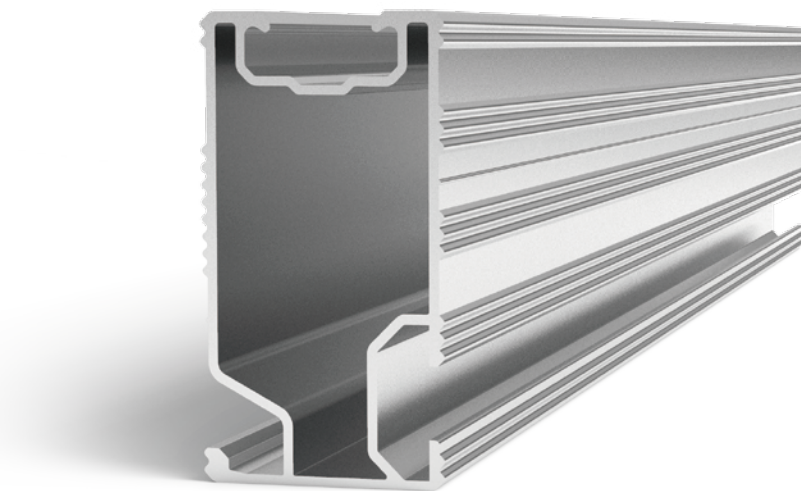


5 PRE-TRB-D01

New & Improved: The Professionals' Choice With Superior Aesthetics

PRE Rail R55

CODE: PRE-R55



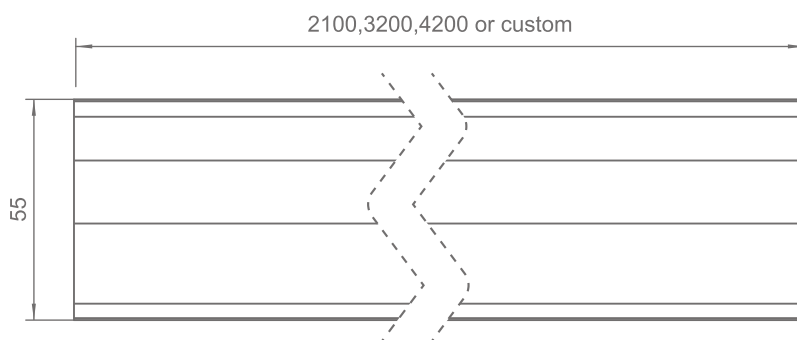
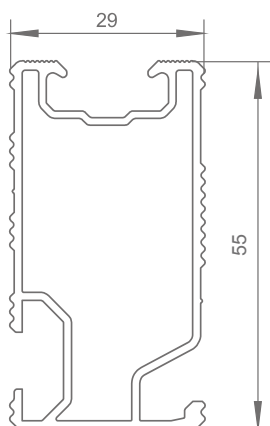
Mechanical Properties

Material	Aluminum 6005 T5
Finish	Natural Anodized
Ultimate Tensile Strength	260Mpa
Yield Strength	240MPa

Section Properties

Section area moment	$S3=2319.6\text{mm}^3$ $S2=1358.31\text{mm}^3$
Cross section modulus	$W3(\text{MIN})=3571\text{mm}^4$ $W2(\text{MIN})=2200.48\text{mm}^4$

Dimensions in mm



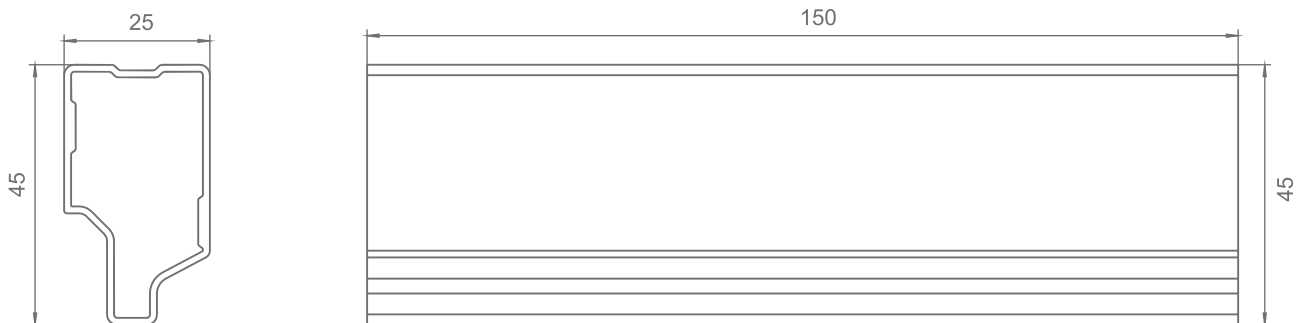
New & Improved: The Professionals' Choice With Superior Aesthetics

PRE Rail R55 Splice CODE: PRE-SFR-01



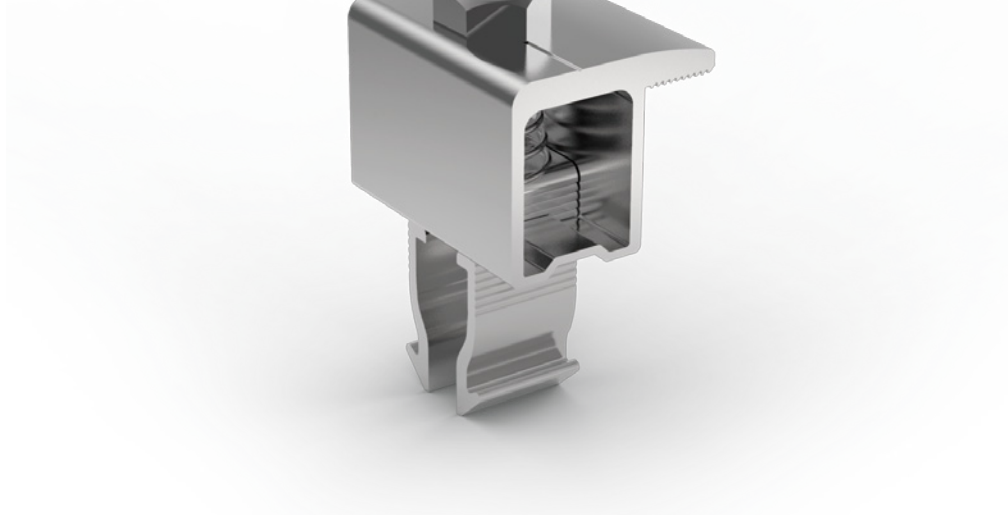
Item No.	description	Material
1	Self drilling screw 6.3 x 19mm,4 pcs	SUS410
2	Rail splice	Aluminum 6005 T5

Dimensions in mm



New & Improved: The Professionals' Choice With Superior Aesthetics

PRE End Clamp CODE: PRE-AEC

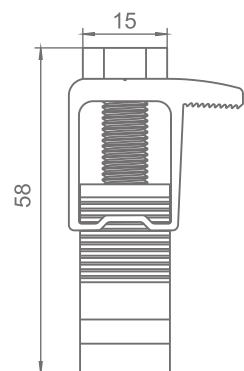
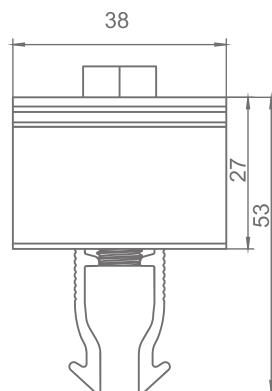
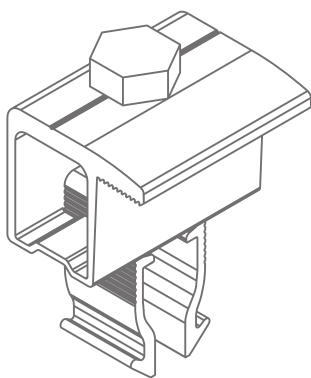


Item No.	description	Material
1	Hex bolt	Stainless steel 304
2	End clamp	Aluminum 6005 T5, anodized
3	Clamp spring	Stainless steel 304
4	Rail slot nut	Aluminum 6005 T5, anodized

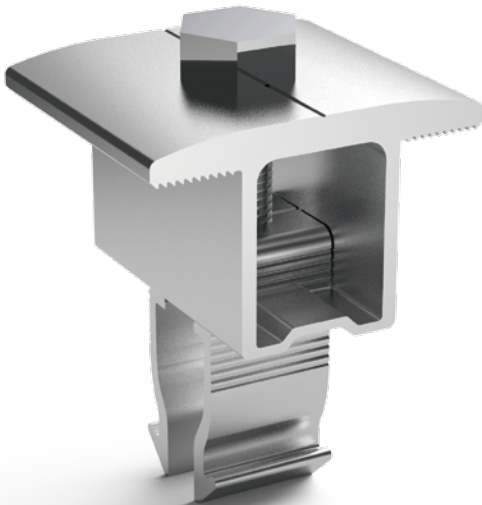
Technical data

Ultimate tensile strength	Avg 8.64KN
Scope of application	Used with PRE-R55 rail only
Compatible module	Framed module
Compatible module frame size	30mm-45mm

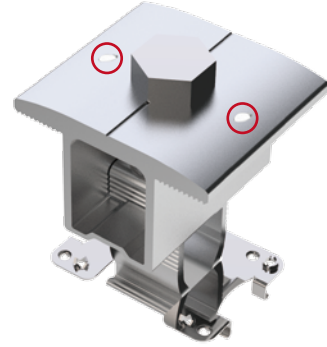
Dimensions in mm



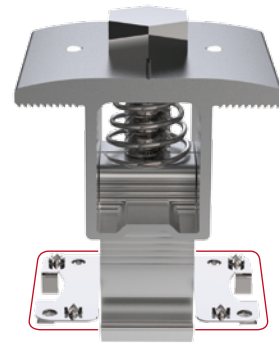
PRE Mid Clamp CODE: PRE-EIC



Alternative option



1: integrated with grounding pins



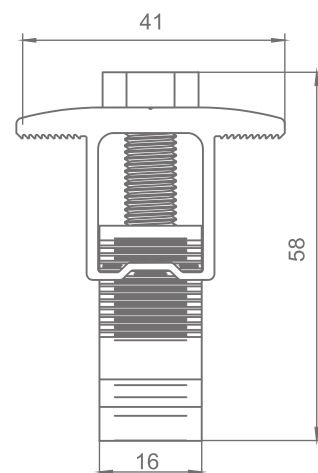
2: furnished with grounding clip

Item No.	description	Material
1	Hex bolt	Stainless steel 304
2	Mid clamp	Aluminum 6005 T5, anodized
3	Clamp spring	Stainless steel 304
4	Rail slot nut	Aluminum 6005 T5, anodized

Technical data

Ultimate tensile strength	Avg 8.64KN
Scope of application	Used with PRE-R55 rail only
Compatible module	Framed module
Compatible module frame size	30mm-45mm

Dimensions in mm



New & Improved: The Professionals' Choice With Superior Aesthetics

L Foot

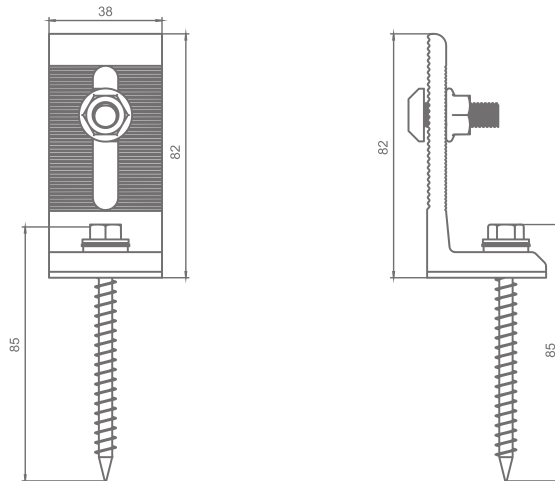
CODE: PRE-TRB-D01



Item No.	description	Material
1	T Bolt	Stainless steel 304
2	Flange nut	Stainless steel 304
3	L foot	Aluminum 6005 T5, anodized
4	Wooden screw (factory default)	Carbon steel
5	Rubber	EPDM

Scope of application	Flat or pitched roofs with trapezoidal sheet metal roofing
	Corrugated sheet metal roofing
	Standing seam roofing with clamp
Fastening type/roof fixture	Attached with drilling screw for a steel substructure, parallel to raised crests
	Attached with wooden screw for a timber substructures, parallel to raised crests
	Attached with a flange screw to standing seam clamp

Dimensions in mm





Xiamen Enerack Technology Co., Ltd.

Tel: +86 - 592-5669285

Fax: +86 - 592-5669235

Mail: info@enerack.com

Web: www.enerack.com

Add: 203A, Norinco Business Plaza, NO.6

Huli Avenue, Huli District, Xiamen, China